

Island Nautical, Inc. P.O. Box 207, 225 Fordham St. City Island, NY 10464 718-885-2295 Fax 718-885-0813

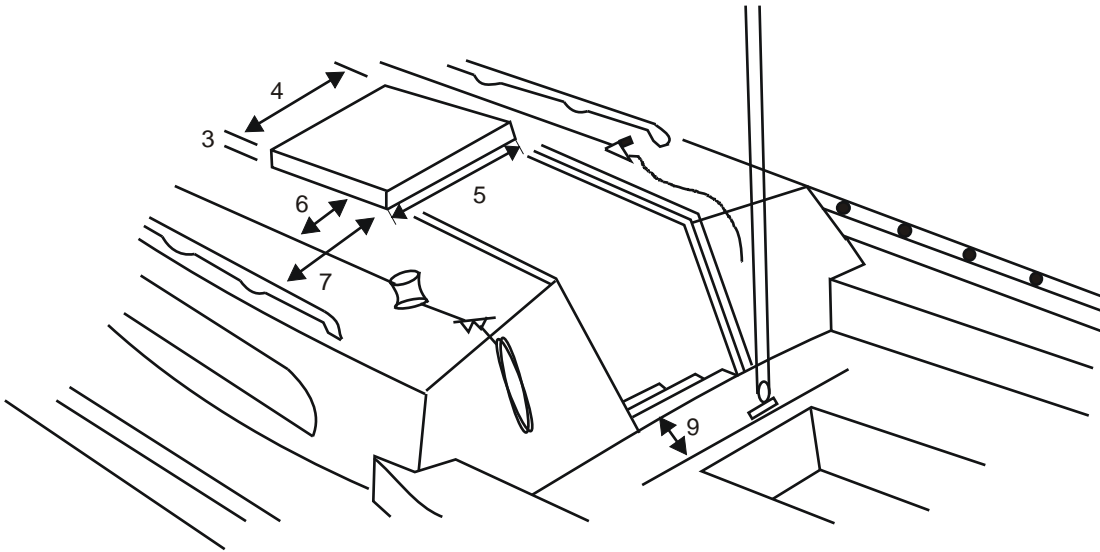
Dodger Measurement Form

Thank you for your interest in Island Nautical. While we have a dodger template for the deck configuration of your boat, the handrail placement and sheeting arrangements do vary from boat to boat. We ask that you provide us with this information to assure a proper fit.

Name _____ Phone (Day) _____

Address _____

Boat Type _____ Year _____ Hull # _____



Please fill in the following; (take measurements using inches rounded to the nearest 1/4")

1) Is the hatch in center of cabin top YES hatch off-center, YES Other _____

2) Does hatch slide forward into box YES or hatch slides forward on track not into box YES

3) Height of hatch or storm box from flush cabin to top of hatch _____

4) Width of hatch at top _____

5) Width of hatch at bottom, if different from above _____

6) Edge of Hatch (at bottom) to center of cut-out(s) for sheets etc: If no sheets lead aft write None

Port: _____

Starboard: _____

Note: If sheets are close together give one measurement to center and denote width of cut-out

7) Edge of hatch at bottom to center of handrails: port _____ starboard _____

8) Where is the traveller located ? Cabintop Companionway Bridgedeck

Cockpit forward of steering cockpit aft of steering stern

9) (For Cockpit traveller) measure aft end of cabin to traveller _____

10) Boom height from cockpit sole with sail fully hoisted and trimmed in _____

Notes: Were there are any changes to cabin top or traveller placement after factory installation, if so what were they? _____
