



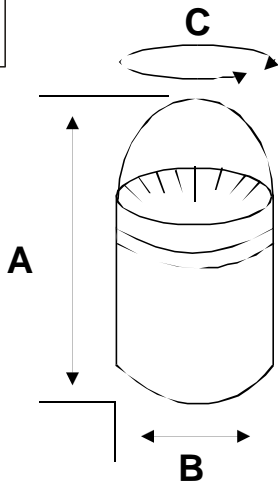
Island Nautical, Inc. P.O. Box 207, 225 Fordham St. City Island, NY 10464 718-885-2295 Fax 718-885-0813

Name \_\_\_\_\_ Phone(Day) \_\_\_\_\_

Address \_\_\_\_\_

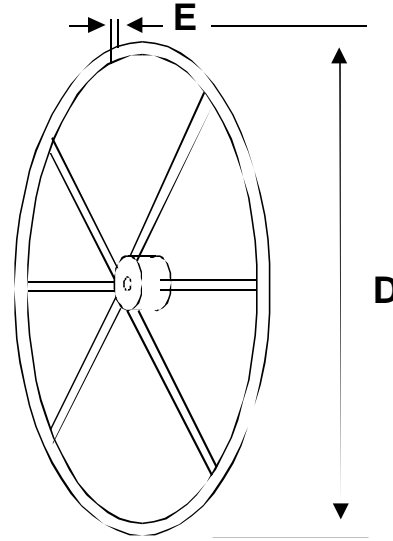
Boat Type \_\_\_\_\_ Year \_\_\_\_\_ Hull # \_\_\_\_\_

compass



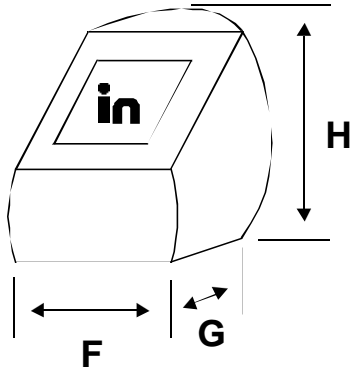
A \_\_\_\_\_ =height  
B \_\_\_\_\_ =diameter  
C \_\_\_\_\_ =circumference

wheel



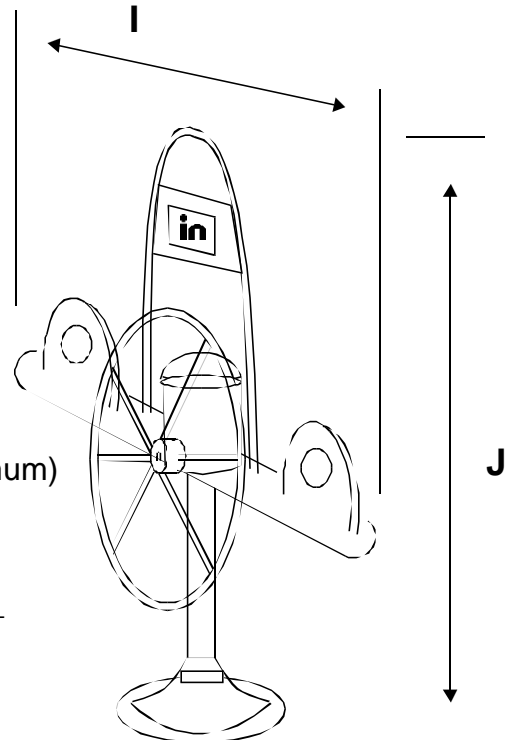
D \_\_\_\_\_  
= diameter  
E \_\_\_\_\_  
= thickness

instrument pod



F \_\_\_\_\_ =width  
G \_\_\_\_\_ =depth  
H \_\_\_\_\_ =height

wheel / binnacle  
combo with  
instruments and  
accessories



I \_\_\_\_\_  
=total (maximum)  
width  
J \_\_\_\_\_  
= total height  
from base