



Island Nautical, Inc. P.O. Box 207, 225 Fordham St.
 City Island, NY 10464 718-885-2295 Fax 718-885-0813

**WHEEL / BINNACLE COVER
 MEASUREMENT FORM**

IF EDSON:

Wheel diameter _____

Guard width (check one):

narrow, 10 1/2 " _____

wide, 20" _____

Guard height (check one if applicable)

4-hole #852 (14 1/2") _____ or #876 (18 1/2") _____

3-hole #812 (11") _____ or #876 (14 1/2") _____

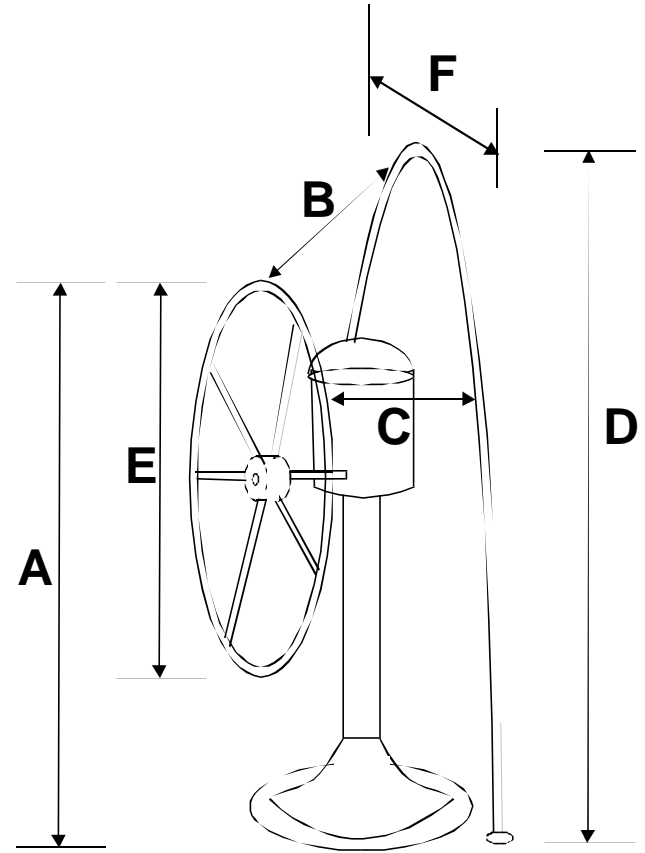
Folding table (check one if applicable)

lengthwise #761 _____

athwartships #784 _____

Instruments on pods/ other permanent accessories. Note model and placement

if applicable. _____



IF NOT EDSON

A. cabin sole to wheel tip _____

B. aft tip of wheel to forward tip of guard rail _____

C. forward edge of guard rail to aft edge of wheel _____

D. cabin sole to tip of guard rail _____

E. wheel diameter _____

F. Distance between outer edge of guard rails _____

G. Note dimensions and placement

of accessories: glass holders, folding table, instrument pods, etc.
